

Data Sheet

209N - Non-Return Valve

Manufactured in 316L SS material the non return valve has a light action spring that allows the valve to operate in vertical and horizontal positions. The piston face is kept as large as possible to minimise the pressure drop and to also to allow particles to pass through the spider support.

Suitable for C.I.P applications the valve is easily dismantled for sterilisation and the seals supplied as standard are EPDM with others materials available to order, such as silicone, Viton®/FKM and PTFE/FEP.

Maximum working pressure: 10 Bar



Size range:

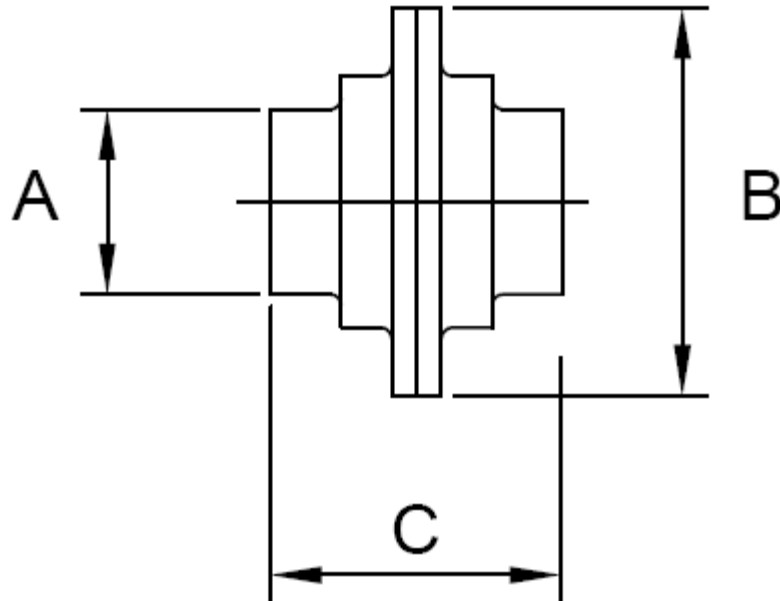
1" to 4"

End Connections:

Plain weld end, Tri-Clamp, RJT, IDF, DIN 11851, ILC, SMS and BSP

Data Sheet

209N - Non Return Valve – Spring Operated



<p>Non-Return Valve with spring disc operation.</p> <p>Minimum operating pressure 0.5 psi and fully open at 2 psi</p>	Size	A	B	C	ID	Part No
	1"	25.0	80.5	68.0	22	209N-A026
	1½"	38.0	87.0	76.0	35	209N-A038
	2"	51.0	106.5	80.0	47	209N-A051
	2½"	63.5	113.0	80.0	60	209N-A064
	3"	76.0	125.0	82.0	72	209N-A076
	4"	101.6	185.0	119.0	97	209N-A102
<p>Seal Materials</p> <ol style="list-style-type: none"> 1. Silicone 2. EPDM 3. Viton 4. PTFE (Not recommended) 						