

Data Sheet

Oval Manways

Alchem offer a comprehensive range on inward and outward opening oval process hatches and manways. Oval manways range in size from the small 165mm x 300mm "Sardine Tin" shaped, outward opening manways used for washing machine inspection to the large inward opening, silo inspection hatches at 540mm x 440mm.

High Pressure obround manways are also available with PED approvals.

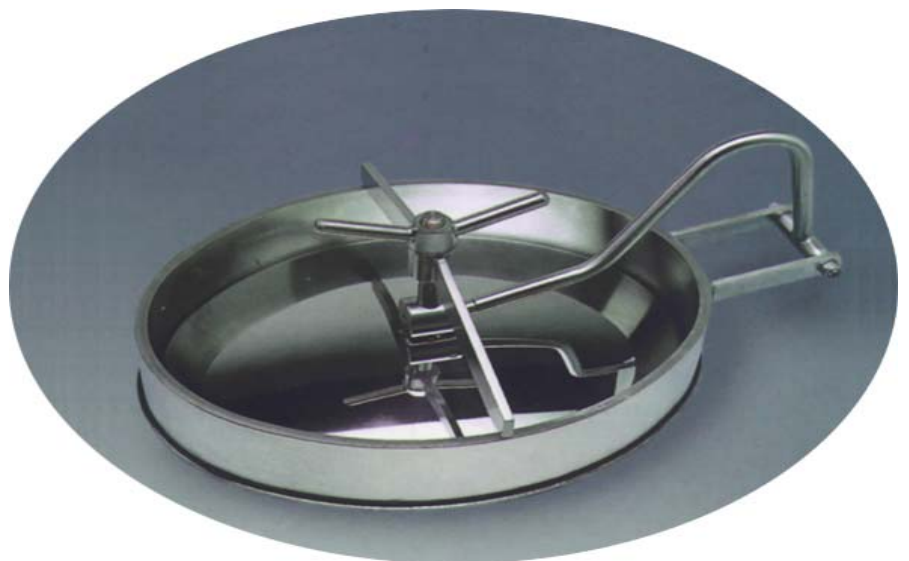
The range has recently been expanded to include two high pressure options:

- 370 x 480mm internally opening Manway with 15 Bar maximum pressure
- 370 x 480mm internally opening manway 9 Bar with TÜV certification

We also offer a full range of atmospheric and pressure rated manways with CODAP 2000, ASME and the PED/23/97 approvals.

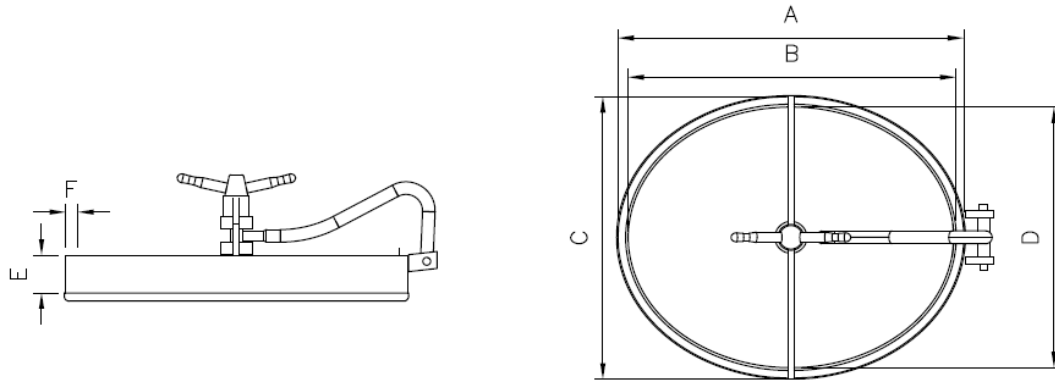
Options:

- Flush Fitting Aseptic Neck Rings for use on flat sided powder vessels
- Neck rings offered in 60mm, 100mm and the new 140mm lengths, all at 12mm thick.
- A full range of Circular and Rectangular manways is also available to suit all your process requirements.
- High Pressure manways offered with full vacuum rating to 16 Bar working pressure
- Standard material options in 316L and 304 stainless steel
- Material certificates to EN 10204 3.1.B



Data Sheet

M125 – Oval Manway, Inward Opening



Part No:	A	B	C	D	E	F	Working Pressure (Bar)
M125-A08-060	456	440	326	310	60	8	1.5
M125-A09-060	542	518	442	418	60	12	6.0
M125-A09-100	542	518	442	418	100	12	6.0
M125-A09-140	542	518	442	418	140	12	8.0

Materials:

- 304L and 316L Stainless Steel
- Seal Materials Natural Rubber, EPDM, Nitrile & Viton
- Lid Thickness 3mm
-

Data Sheet

PED High Pressure Oval Manways

Externally opening oval manways are now available with up to 15 Bar pressure rating. We offer a 9 Bar option with TUV certification along with our standard range of circular manways to CODAP2000 and PED 97/23/CE. Designed for side and bottom mounting applications, these manways are often fitted to large storage silos, autoclaves and process vessels.

Our range of oval manways has increased steadily over recent years and we now offer a comprehensive choice of sizes, inward and outward opening options and a range of pressure ratings.

- Sizes from 150mm x 290mm through to the 520mm x 420mm
- 9 Bar Rated – Oval manways with TUV certification
- Fully polished lids in 316L and 304L materials
- 15 Bar rated Inward opening manways
- Swivel In and out style manways available in 520 x 420mm
- Extended neck rings of 100mm and 140mm
- Special neck rings available for glass fibre and concrete tanks
- Alternative hinge mechanisms allow vertical and horizontal installation
- Smooth outer covers be fitted for low liquid retention
- FDA approved seals in EPDM, Silicone, Viton® or Nitrile

