

**Data Sheet**

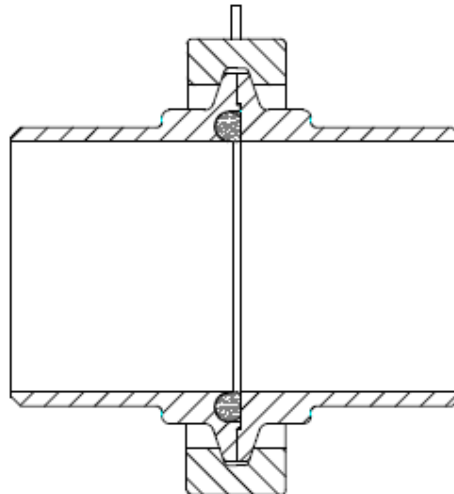
## DIN 11864-3 Aseptic Clamp Unions for DIN 11866 / 11850

### DIN 11864 - 3 Aseptic Clamp Unions

This range of aseptic fittings has been developed by the German hygienic industry to meet the exacting needs of the pharmaceutical, food and fine chemical industries.

Three designs of pipe fittings have been tailored to accept 2 different types of aseptic seals that effect a smooth interface within the pipe work whilst simultaneously achieving a metal to metal seat behind the joint.

The seal sections used are referenced as "Form A" and "Form B" and both have distinctive profiles that are easily recognised. Form A is an O Ring Joint whilst Form B is a 2-part Square section seal with a secondary internal diamond section.



The Type 3 design is based on the 3A Clamp union and uses the flange diameters common to the Metric DIN 32676 Standard.

Available with optional lengths to suit Orbital and Manual Welding, these unions have been designed to match tube and pipe specifications including DIN 11850 / 11866; ISO 2037; ASME BPE 2002 and BS 4825 Part 1 and also the ISO 1127 Standard for schedule pipe.

Size range: 10mm to 100mm

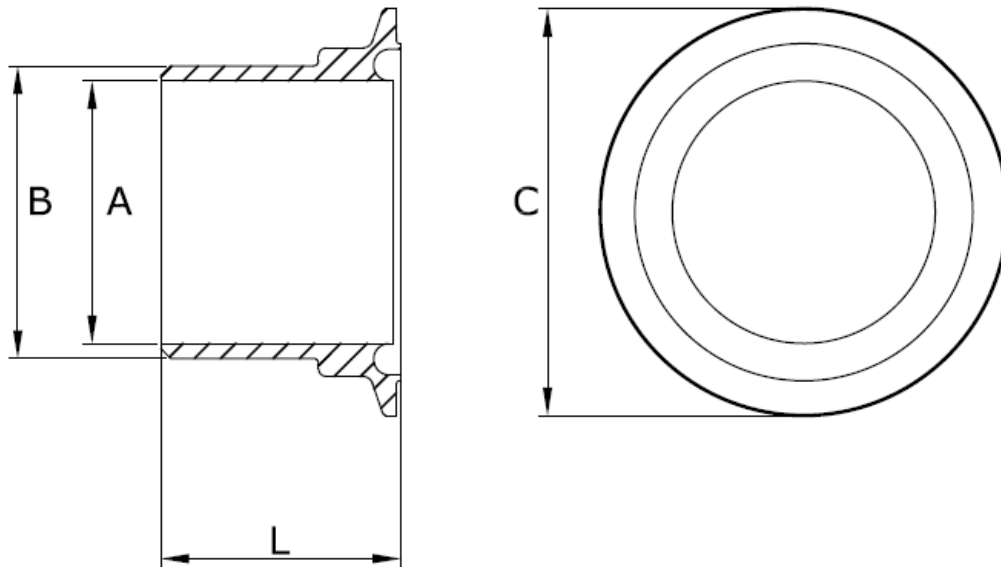
Materials: 316L SS.

**Related standards:**

DIN 11864-1 Form A - Aseptic Screwed Union  
DIN 11864-2 Form A - Aseptic Flange Union  
DIN 11864-3 Form A - Aseptic Clamp Union  
DIN 11866 / 11850  
ISO1127  
ISO 2037 / BS 4825 /ASME BPE 2002  
DIN 11853 (Type 1 only)

**Data Sheet**

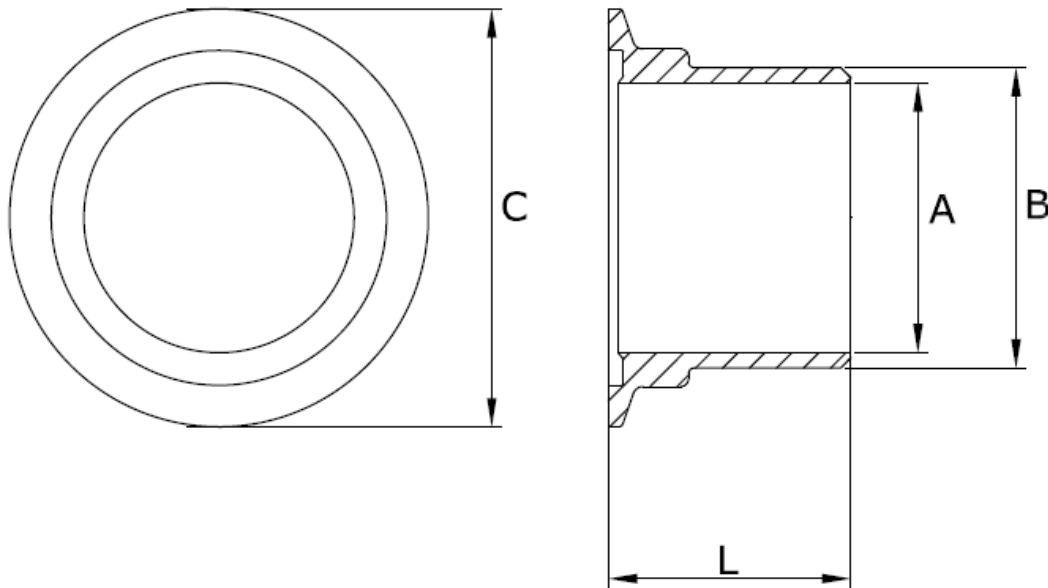
**DIN11864-3 "Form A" Clamp Ferrule Male, 316L SS,  
DIN 11866 / DIN 11850**



Size:	A	B	C	L1 (Orbital Weld)	L2 (Manual Weld)	Detail
DN 10	10	13	34.0	39.5	18.5	A0140-A010
DN 15	16	19	34.0	39.5	18.5	A0140-A015
DN 20	20	23	50.5	39.5	18.5	A0140-A020
DN 25	26	29	50.5	40.0	20.0	A0140-A025
DN 32	32	35	50.5	45.5	25.5	A0140-A032
DN 40	38	41	64.0	45.5	25.5	A0140-A040
DN 50	50	53	77.5	46.0	29.0	A0140-A050
DN 65	66	70	91.0	58.0	33.0	A0140-A065
DN 80	81	85	106.0	60.0	35.0	A0140-A080
DN 100	100	104	130.0	61.5	44.5	A0140-A100

**Data Sheet**

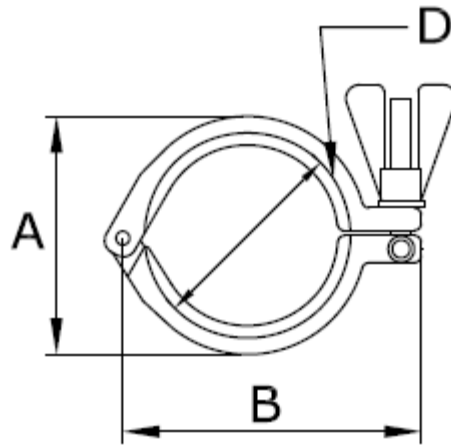
**DIN11864-3 "Form A" Clamp Ferrule Female, 316L SS,  
DIN 11866 / DIN 11850**



Size:	A	B	C	L1 (Orbital Weld)	L2 (Manual Weld)	Detail
DN 10	10	13	34.0	38.0	17.0	A141-A010
DN 15	16	19	34.0	38.0	17.0	A141-A015
DN 20	20	23	50.5	38.0	17.0	A141-A020
DN 25	26	29	50.5	38.5	18.5	A141-A025
DN 32	32	35	50.5	44.0	24.0	A141-A032
DN 40	38	41	64.0	44.0	24.0	A141-A040
DN 50	50	53	77.5	44.5	27.5	A141-A050
DN 65	66	70	91.0	56.5	31.5	A141-A065
DN 80	81	85	106.0	58.5	33.5	A141-A080
DN 100	100	104	130.0	60.0	43.0	A141-A100

**Data Sheet**

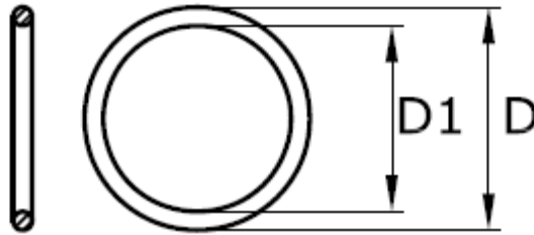
**DIN11864-3 Clamp, 304 SS,  
DIN 11866 / DIN 11850**



Size:	A	B	C	D	Part No:
DN 10	45	63		34.0	3017-C015
DN 15	45	63		34.0	3017-C015
DN 20	64	88		50.5	3017-C026
DN 25	64	88		50.5	3017-C026
DN 32	64	88		50.5	3017-C026
DN 40	77	105		64.0	3017-C051
DN 50	91	123		77.5	3017-C064
DN 65	104	137		91.0	3017-C076
DN 80	119	155		106.0	3017-C089
DN 100	143	168		130.0	3017-C114

**Data Sheet**

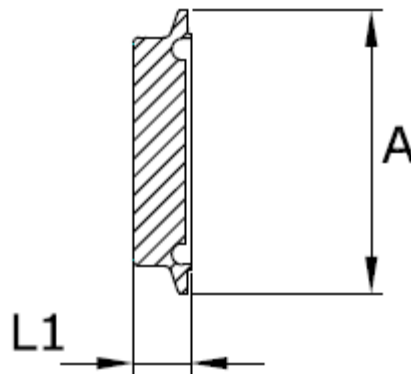
**DIN11864-1 "Form A " O Ring Union Seal,  
DIN 11866 / DIN 11850 (Series 1)**



Size:	D1	D	Section	Part No: EPDM	Part No: Viton	Detail
DN 10	12	19	3.5	A030-E010	A030-V010	
DN 15	18	25	3.5	A030-E015	A030-V015	
DN 20	22	29	3.5	A030-E020	A030-V020	
DN 25	28	35	3.5	A030-E025	A030-V025	
DN 32	34	44	5	A030-E032	A030-V032	
DN 40	40	50	5	A030-E040	A030-V040	
DN 50	52	62	5	A030-E050	A030-V050	
DN 65	68	78	5	A030-E065	A030-V065	
DN 80	83	93	5	A030-E080	A030-V080	
DN 100	102	112	5	A030-E100	A030-V100	
DN 125	127	137	5	A030-E125	A030-V125	
DN 150	152	162	5	A030-E150	A030-V150	

**Data Sheet**

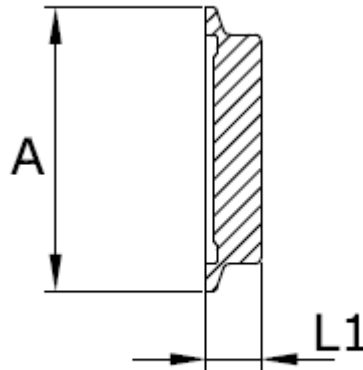
**DIN11864-3 "Form A " Clamp Blank Male, 316L SS  
DIN 11866 / DIN 11850**



Size:	A	B	C	Part No:	Detail
DN 10	34.0	10		A142-A015	
DN 15	34.0	10		A142-A015	
DN 20	50.5	10		A142-A025	
DN 25	50.5	10		A142-A025	
DN 32	50.5	10		A142-A025	
DN 40	64.0	10		A142-A051	
DN 50	77.5	10		A142-A064	
DN 65	91.0	10		A142-A076	
DN 80	106.0	10		A142-A089	
DN 100	130.0	10		A142-A102	

**Data Sheet**

**DIN11864-3 "Form A " Clamp Blank Female, 316L SS  
DIN 11866 / DIN 11850**



Size:	A	B	C	Part No:	Detail
DN 10	34.0	8		A143-A015	
DN 15	34.0	8		A143-A015	
DN 20	50.5	8		A143-A025	
DN 25	50.5	8		A143-A025	
DN 32	50.5	8		A143-A025	
DN 40	64.0	8		A143-A051	
DN 50	77.5	8		A143-A064	
DN 65	91.0	8		A143-076	
DN 80	106.0	8		A143-A089	
DN 100	130.0	8		A143-A102	