

Data Sheet

Clamp Range

The clamp range of unions has become universally the accepted fitting of choice for much of the pharmaceutical, biotech, cosmetic and food industries. This simple design and use fitting, generally requires no tools for use, covers a wide range of pipe and tube sizes, finishes and materials and complies with all the relevant US and European standards including ASME BPE-2002, 3A, BS 4825 Part 3, DIN 32676 and ISO 2852.

The standard heavy-duty clamp has been the market leading product for over 15 years and is available in sizes from 4mm to 12" encompassing both imperial, metric and schedule pipe sizes. High pressure clamps are available from 1" to 12" while the light duty clamps are available from 1/2" to 6" in the single hinge pin design.

A full range of standard and special clamps is now offered including the 3 Segment clamp and the retro Clamp range with single and double, hinge mechanism.

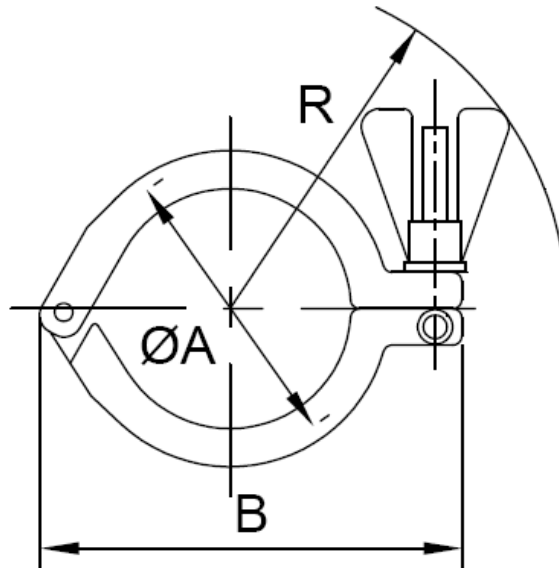


Standards:

ASME BPE-2002
BS 4825 Part 3 / ISO 2037
DIN 32676
DIN11864-3
3A Standard
ISO 2852 and SMS 3017
SMS 3008
ISO 1127 Schedule Pipe Size
BS 6362 Schedule Pipe Size
ASTM A312 Schedule Pipe

Data Sheet

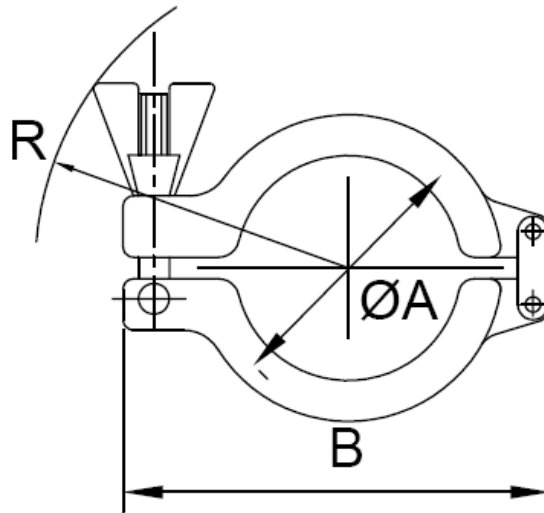
3017-Single Pin Clamp Series, 304SS



Size	A	B	R	Max Working Pressure (Bar) 150°C	Weight Kgs	Part No
½" & ¾"	25.0	63.0	60.0	25	0.13	3017-C013
DN10-15-20	34.0	73.0	69.0	25	0.17	3017-C010
1" & 1½"	50.0	78.0	85.0	25	0.21	3017-C038
2"	64.0	82.0	99.0	25	0.25	3017-C051
2½"	77.0	89.0	112.0	25	0.35	3017-C064
3"	91.0	96.0	126.0	20	0.42	3017-C076
3½"	106.0	103.0	140.0	20	0.44	3017-C089
4"	119.0	110.0	154.0	17	0.51	3017-C102
4½"	130.0	115.0	165.0	15	0.60	3017-C114
6"	167.0	134.0	216.0	N/A	0.88	3017-C154

Data Sheet

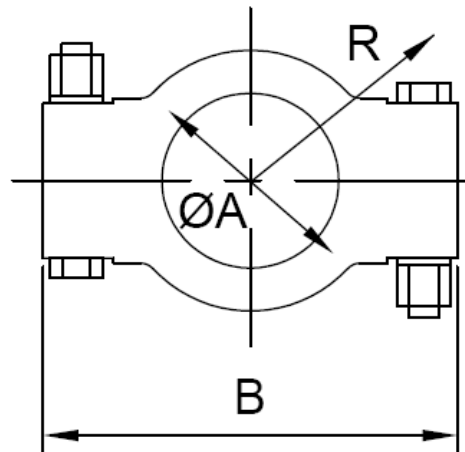
3018-Heavy Duty Clamp, 316 SS, Wing Nut



Size	A	B	R	Max Pressure (Bar) 150°C	Weight (Kgs)	Part No
1/2" & 3/4"	25.0	75.0	65.0	50	0.15	3018-B013
DN10-15-20	34.0	75.0	67.0	50	0.20	3018-B010
1" & 1 1/2"	50.0	102.0	77.0	50	0.25	3018-B026
2"	64.0	123.0	93.0	50	0.33	3018-B051
2 1/2"	77.0	140.0	100.0	40	0.38	3018-B064
3"	91.0	150.0	105.0	40	0.44	3018-B076
3 1/2"	106.0	165.0	110.0	40	0.44	3018-B089
4"	119.0	185.0	119.0	35	0.57	3018-B102
4 1/2"	130.0	191.0	120.0	30	0.60	3018-B114
5"	144.0	215.0	131.0	30	0.75	3018-B129
5 1/2"	155.0	252.0	155.0	30	1.39	3018-B141
6"	167.0	262.0	156.0	30	1.45	3018-B154
6 5/8"	183.0	280.0	178.0	25	1.61	3018-B168
8"	217.0	325.0	195.0	20	2.11	3018-B204
8 5/8"	233.0	333.0	203.0	20	2.25	3018-B219
10"	268.0	382.0	205.0	16	2.78	3018-B304
10 5/8"	286.0	405.0	213.0	16	2.97	3018-B273
12"	319.0	458.0	242.0	10	3.69	3018-B304
12 3/4"	338.0	463.0	243.0	10	3.37	3018-B317
Bold items have double Wing Bolts						

Data Sheet

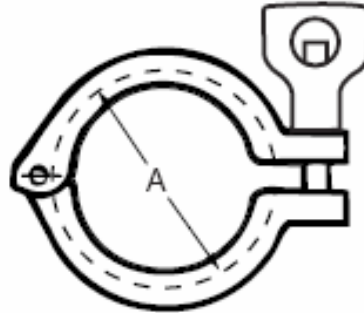
3019-Clamp High Pressure, 304SS



Size	A	B	R	Max Working Pressure (Bar) at 150°C	Weight Kgs	Part No
½" & ¾"	25.0	65.0	34.0	75	0.16	3019-C013
DN 10 / 15 / 20	34.0	74.0	39.0	75	0.22	3019-C020
1" & 1½"	50.0	103.0	60.0	75	0.66	3019-C026
2"	64.0	128.0	67.0	75	0.82	3019-C051
2½"	77.0	137.0	75.0	75	0.94	3019-C064
3"	91.0	150.0	80.0	55	1.02	3019-C076
3½"	106.0	150.0	88.0	55	1.07	3019-C089
4"	119.0	165.0	93.0	50	1.27	3019-C102
4½"	130.0	174.0	97.0	45	1.33	3019-C114
6"	167.0	240.0	132.0	45	1.93	3019-C154
6⅝"	183.0	260.0	142.0	38	2.11	3019-C168
8 ⅝"	233.0	318.0	168.0	25	2.52	3019-C219
10 ⅝"	286.0	376.0	190.0	15	2.97	3019-C273
12 ¾"	338.0	440.0	215.0	10	3.37	3019-C324
Material – 304SS with Brass Nuts (SS available as an option)						

Data Sheet

3025 - Clamp, Heavy Series, 304SS

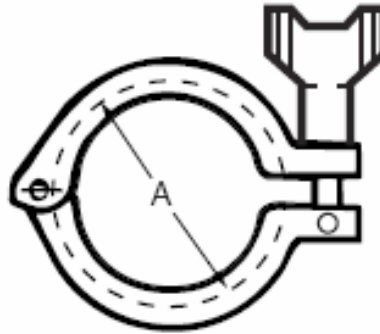


Size	A	B	C	Max Working Pressure (Bar) at 20°C	Weight Kgs	Part No
1/2" & 3/4"	28			30	0.13	3025-C013
1" & 1 1/2"	54			20	0.21	3025-C026
2"	67			20	0.25	3025-C051
2 1/2"	81			20	0.35	3025-C064
3"	94			20	0.42	3025-C076
4"	122			10	0.51	3025-C102
5"	148			10	0.65	3025-C129
6"	170			10	0.90	3025-C154
8"	220			5	2.20	3025-C204
10"	272			N/A	3.00	3025-C254
12"	322			N/A	3.80	3025-C304

The pressures listed are based on the original test data and are given for guidance only. Alchem are happy to assist customers who wish to carry out their own pressure test data.

Data Sheet

3026 – Clamp, 304SS, Single Pin

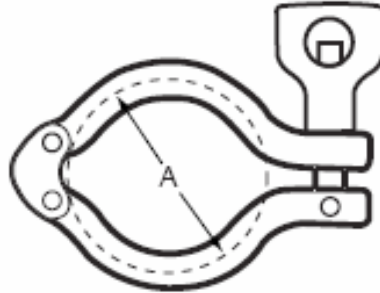


Size	A	B	C	Max Test (Bar) Pressure at 20°C	Weight Kgs	Part No
1/2" & 3/4"	28			30	0.13	3026-C013
1" & 1 1/2"	54			20	0.21	3026-C026
2"	67			20	0.25	3026-C051
2 1/2"	81			20	0.35	3026-C064
3"	94			20	0.42	3026-C076
4"	122			10	0.51	3026-C102
5"	148			10	0.65	3026-C129
6"	170			10	0.90	3026-C154
8"	220			5	2.20	3026-C204
10"	272			N/A	3.00	3026-C254
12"	322			N/A	3.80	3026-C304

The pressures listed are based on the original test data and are given for guidance only. Original test seal material BUNA N. Alchem are happy to assist customers who wish to carry out their own pressure test data.

Data Sheet

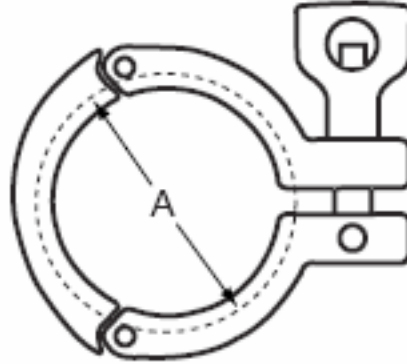
3024 - Clamp, Heavy Duty, 304SS



Size	A	B	C	Max Test (Bar) Pressure at 20°C	Max Test (Bar) Pressure at 120°C	Part No
1" & 1½"	54			34	17	3024-C026
2"	67			30	17	3024-C051
2½"	81			27	13	3024-C064
3"	94			24	10	3024-C076
4"	122			13	8	3024-C102
6"	175			10	5	3024-C154
<p>The pressures listed are based on the original test data and are given for guidance only. Alchem are happy to assist customers who wish to carry out their own pressure test data.</p>						

Data Sheet

3023 - Clamp Heavy Duty, 3 Segment, 304SS



Size	A	B	C	Max Test (Bar) Pressure at 20°C	Max Test (Bar) Pressure at 120°C	Part No
1" & 1½"	54			40	20	3023-C025
2"	65			38	18	3023-C051
2½"	81			30	15	3023-C064
3"	94			24	11	3023-C076
4"	122			17	10	3023-C102

The pressures listed are based on the original test data and are given for guidance only. Alchem are happy to assist customers who wish to carry out their own pressure test data.