

Data Sheet

Hygienic Butterfly Valves

Light weight and easy to operate, the butterfly valve is firmly established as the process industry's standard valve for "on/off" control applications. Suitable for working pressures of up to 10 Bar, at sizes (1" to 4") the robust design and simple operating mechanism, make these low maintenance valves ideal for low viscosity liquid transfer.

Available in 316L SS and 304L SS, the butterfly valve can be controlled either manually or automatically, using an actuator. The standard actuator offered is pneumatically operated and can be single or double acting. Alternatively, we can offer an electronic actuator option.

A full range of FDA approved seals is offered including EPDM, Silicone and Viton®/FKM and encapsulated PTFE seals can also be provided for some sizes.

The pneumatic actuators are offered with Control Boxes locally mounted and containing electronic feed back switches and solenoid valves.

The solenoid valves can also be mounted remotely if preferred.

A range of manual handles is also available, from the simple ABS trigger operated handle, for simple "on/off" operation, a similar stainless steel handle, a 10 position stainless steel handle and also an adjustable micrometric control mechanism to regulate your flow.

End connections:

Size range: 1" to 10" (250mm)
Plain weld ends
Tri-Clamp
RJT male and female
IDF male and female
DIN 11851 male and female
DIN 11850 Weld Ends
DIN 11864 type 1 to 3
SMS male and female
BSP Fabricated



Options

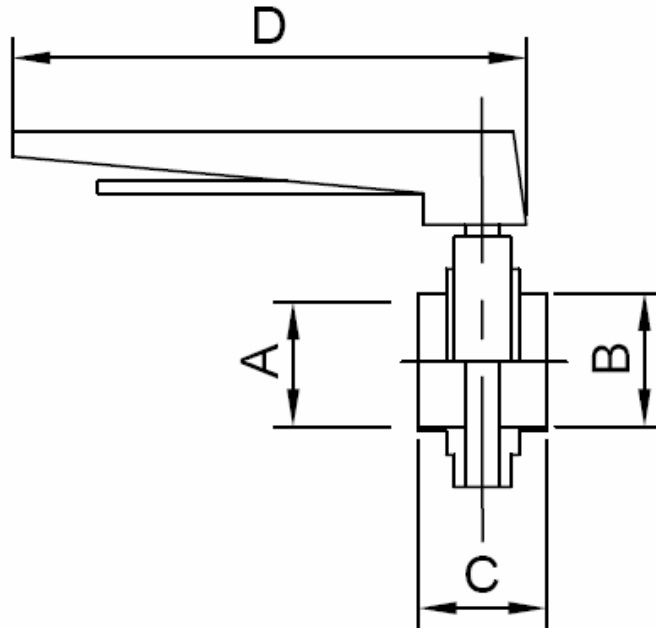
- Single and double acting Air Actuators
- 3 Way valve handle linkages
- IP67 Control box
- ABS Plastic "on/off" trigger handle
- Stainless Steel "on/off" handle
- Stainless Steel 10 position handle
- Micrometric flow control mechanism
- EPDM, Silicone, Viton®/FKM and PTFE Seals

Seals

- EPDM Seal supplied as standard
- Choice of Viton®/FKM
- Silicone

Data Sheet

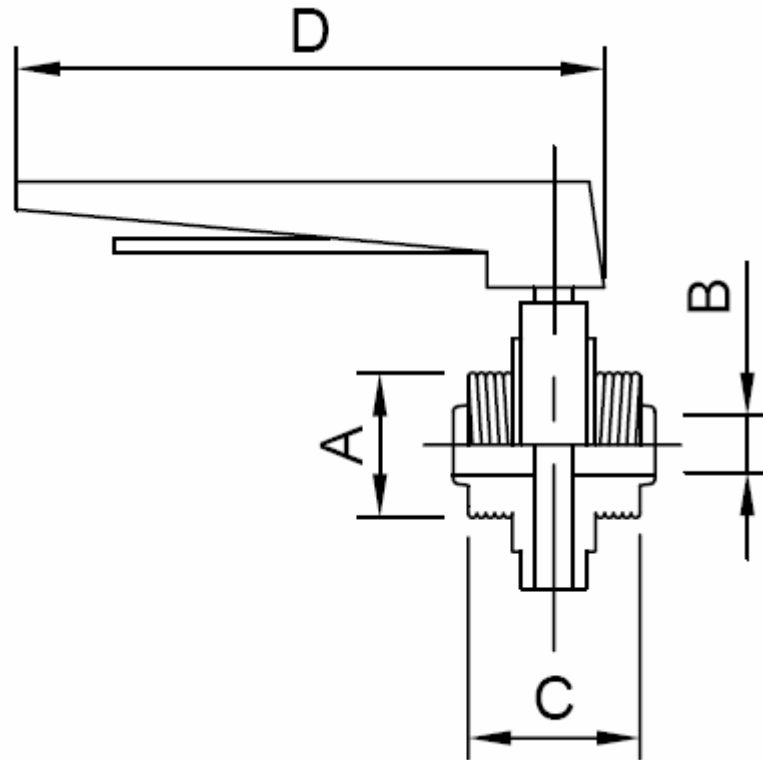
2090 - Butterfly Valves – Plain Ended



Imperial Weld Ends	Size	A	B	C	D	Part No
	1"	25.0	22.5	68.0	190.0	2090-A026
	1½"	38.0	35.5	76.0	190.0	2090-A038
	2"	51.0	48.0	80.0	190.0	2090-A051
	2½"	63.5	60.5	80.0	190.0	2090-A064
	3"	76.0	72.0	82.0	190.0	2090-A076
	4"	101.6	97.6	88.0	181.0	2090-A102
Choice of seal material.						
1. EPDM						
2. Silicone						
3. FKM / Viton®						
4. PTFE encapsulated – special order						
Metric Weld Ends	DN	A	B	C	D	Part No
Notes: DN125, 150 & 200 are not representative of the above diagram. 250mm version now available	DN25	28.0	22.5	68.0	190.0	9090-A025
	DN32	35.0	32.0	76.0	190.0	9090-A032
	DN40	41.0	38.0	76.0	190.0	9090-A040
	DN50	53.0	50.0	80.0	190.0	9090-A050
	DN65	70.0	66.0	82.0	190.0	9090-A065
	DN80	85.0	81.0	84.0	190.0	9090-A080
	DN100	104.0	100.0	88.0	181.0	9090-A100
	DN125	129.0	125.0	112.0	248.0	9090-A129
	DN150	154.0	150.0	124.0	248.0	9090-A154
	DN200	204.0	200.0	112.0	276.0	9090-A204
Choice of seal material.						
1. EPDM						
2. Silicone						
3. FKM / Viton®						
4. PTFE encapsulated – special order						

Data Sheet

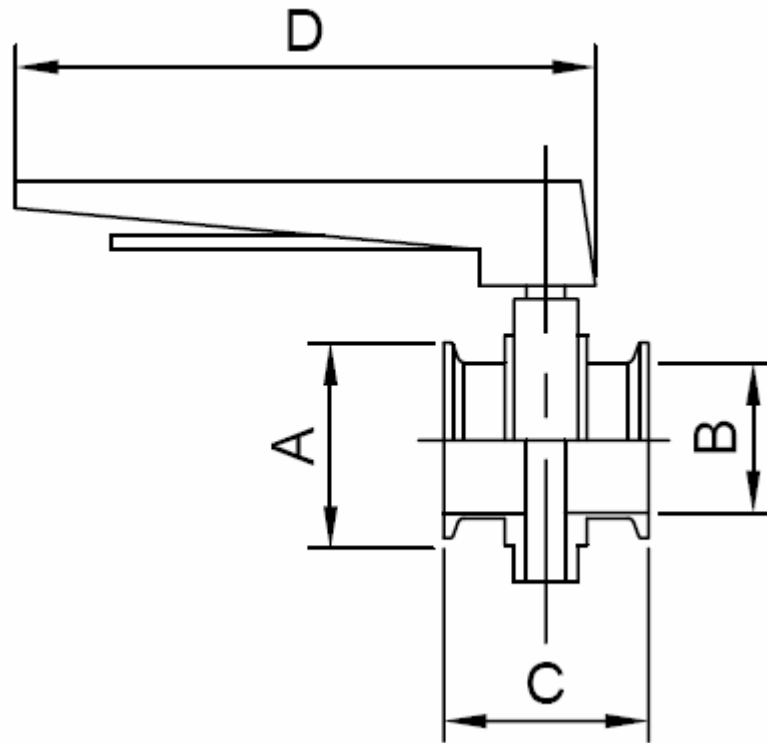
5090 - Butterfly Valves – RJT Male



RJT Male / Male	Size	A	B	C	D	Part No
	1"	45.5	23	68.0	191.0	5090-A026
	1½"	58.7	34.8	76.0	191.0	5090-A038
	2"	72.5	47.6	80.0	191.0	5090-A051
	2½"	84.0	60.0	80.0	191.0	5090-A064
	3"	98.0	72.0	82.0	191.0	5090-A076
	4"	123.0	97.6		191.0	5090-A102
Choice of seal material. 1. EPDM 2. Silicone 3. FKM / Viton® 4. PTFE encapsulated – special order						

Data Sheet

Butterfly Valves – Tri-Clamp (BS)



Tri-Clamp Ended	Size	A	B	C	D	Part No
<p>Notes:</p> <p>3½" / DN80 are not representative of the above diagram.</p> <p>125mm, 150mm, 200mm & 250mm Options are now available</p>	1"	50.5	22.5	68.0	191.0	3090-A026
	1½"	50.5	35.5	73.0	191.0	3090-A038
	2"	64.0	48.0	78.0	191.0	3090-A051
	2½"	77.5	60.5	70.0	191.0	3090-A064
	3"	91.0	72.0	75.0	191.0	3090-A076
	3½"	106.0	81.0		191.0	3090-A080
	4"	119.0	97.6			3090-A102
<p>Choice of seal material.</p> <ol style="list-style-type: none"> 1. EPDM 2. Silicone 3. FKM / Viton® 4. PTFE encapsulated – special order 						