

Data Sheet

BS 4504:1989 Slip-On RF Plate Flanges.

These are a range of circular flanges manufactured from steel forgings, plates or castings.

This standard has now been superseded by a new range of DIN flanges including DIN 2527 for Blind Flanges and DIN 2631, 32, 33, 34 & DIN 2635 for Weld Neck Flanges, although references to the original flange dimensions are still common in industry.

A wide range of alloy materials are offered including austenitic 304, 310, 316 and 321 stainless steels, nickel alloys and other ferritic and duplex materials.

The range is manufactured with raised faces as standard and in sizes from DN 10 to DN 4000. Alchem can also supply the flanges bored to suit OD tube and with flat faces if required. The sealing faces are detailed in the standard and 8 standard types are offered from Type A Flat Faced to Type H to suit an O Ring seal.

Working pressures at room temperature start from PN 2.5, 6, 10, 16, 25 and 40 Bar. (Equivalent to 36, 87, 145, 232, 362 and 580 PSI).

Options

- Blind Flanges - BS4504/105 (Formerly Type 8)
- Plate Slip-On Flanges - BS4504/101 (Formerly Type 3)
- Slip-On Hubbed Flanges - BS4504/112 (Formerly Type 5)
- Weld Neck Flanges - BS4504/111 (Formerly Type 2)
- Hubbed Threaded Flanges- BS4504/113 (Formerly Type 4)

Sizes: DN10 to DN4000 NB

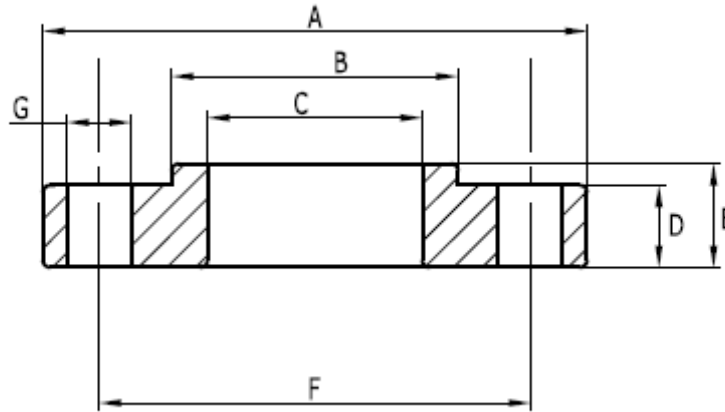
Materials:

Stainless Steel 304, 321 and 316
Carbon Steel
Copper Alloys
Zinc Plated or Galvanized Steel



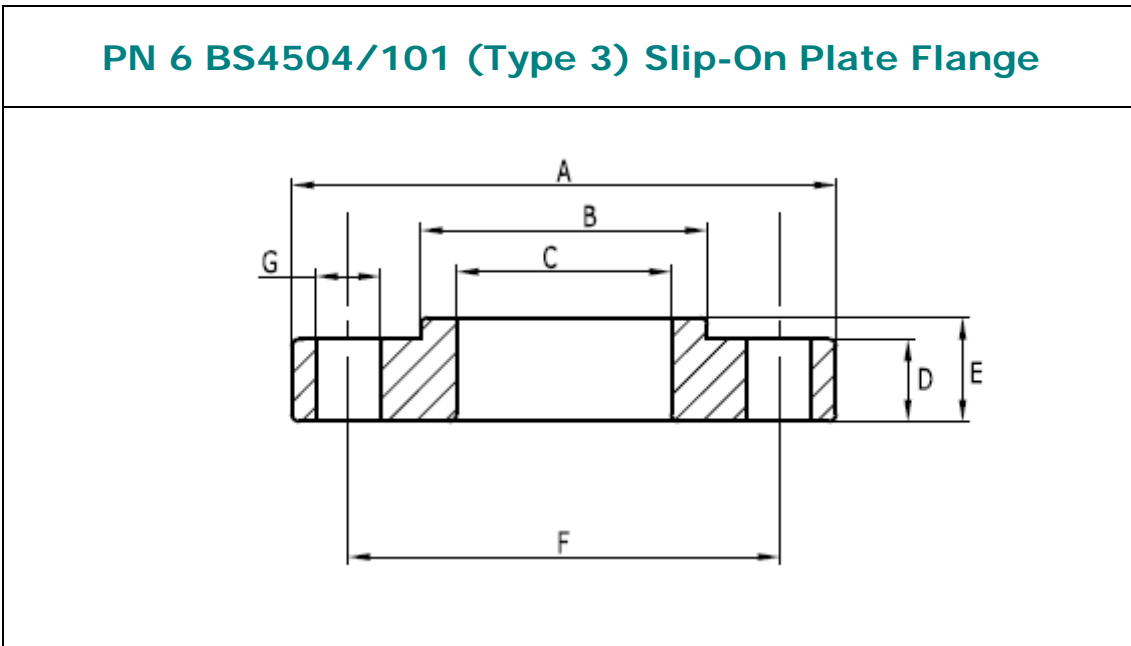
Data Sheet

PN 2.5 BS4504/101 (Type 3) Slip-On Plate Flange



Size	A	B	C	D	E	F	G	No of Holes	Bolt Size
DN10	75	-	18.0	12	12	50	11	4	M10
DN15	80	-	22.0	12	12	55	11	4	M10
DN20	90	-	27.5	14	14	65	11	4	M10
DN25	100	-	34.5	14	14	75	11	4	M10
DN32	120	-	43.5	14	16	90	14	4	M12
DN40	130	-	49.5	14	16	100	14	4	M12
DN50	140	-	61.5	14	16	110	14	4	M12
DN65	160	55	77.5	14	16	130	14	4	M12
DN80	190	70	90.5	16	18	150	18	4	M16
DN100	210	90	116.0	16	18	170	18	4	M16
DN125	240	115	141.5	18	20	200	18	8	M16
DN150	265	140	170.5	18	20	225	18	8	M16
DN200	320	190	221.5	20	22	280	18	8	M16
DN250	375	235	276.5	22	24	335	18	12	M16
DN300	440	285	327.5	22	24	395	22	12	M20
DN350	490	325	359.5	24	26	445	22	12	M20
DN400	540	375	411.0	28	28	495	22	16	M20
DN450	595	425	462.0	30	30	550	22	16	M20
DN500	645	475	513.5	32	30	600	22	20	M20
DN600	755	575	616.5	36	32	705	26	20	M24
DN700	860	-	-	-	36	810	26	24	M24
DN800	975	-	-	-	38	920	30	24	M27
DN900	1075	-	-	-	40	1020	30	24	M27
DN1000	1175	-	-	-	42	1120	30	28	M27
DN1200	1375	-	-	-	44	1320	30	32	M27
DN1400	1575	-	-	-	48	1520	30	36	M27
DN1600	1790	-	-	-	51	1730	30	40	M27
DN1800	1990	-	-	-	54	1930	30	44	M27
DN2000	2190	-	-	-	58	2130	30	48	M27
DN2200	2405	-	-	-	-	2340	33	52	M30
DN2400	2605	-	-	-	-	2540	33	56	M30
DN2600	2805	-	-	-	-	2740	33	60	M30
DN2800	3030	-	-	-	-	2960	36	64	M33
DN3000	3230	-	-	-	-	3160	36	68	M33
DN3200	3430	-	-	-	-	3360	36	72	M33
DN3400	3630	-	-	-	-	3560	36	76	M33
DN3600	3840	-	-	-	-	3770	36	80	M33
DN3800	4045	-	-	-	-	3970	39	80	M36
DN4000	4245	-	-	-	-	4170	39	84	M36

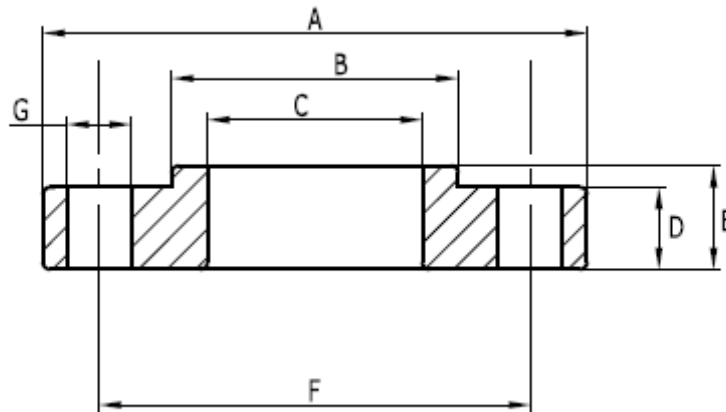
Data Sheet



Size	A	B	C	D	E	F	G	No of Holes	Ø Bolt Hole
DN10	75	-	18.0	12	12	50	11	4	M10
DN15	80	-	22.0	12	12	55	11	4	M10
DN20	90	-	27.5	14	14	65	11	4	M10
DN25	100	-	34.5	14	14	75	11	4	M10
DN32	120	-	43.5	14	16	90	14	4	M12
DN40	130	-	49.5	14	16	100	14	4	M12
DN50	140	-	61.5	14	16	110	14	4	M12
DN65	160	55	77.5	14	16	130	14	4	M12
DN80	190	70	90.5	16	18	150	18	4	M16
DN100	210	90	116.0	16	18	170	18	4	M16
DN125	240	115	141.5	18	20	200	18	8	M16
DN150	265	140	170.5	18	20	225	18	8	M16
DN200	320	190	221.5	20	22	280	18	8	M16
DN250	375	235	276.5	22	24	335	18	12	M16
DN300	440	285	327.5	22	24	395	22	12	M20
DN350	490	325	359.5	24	26	445	22	12	M20
DN400	540	375	411.0	28	28	495	22	16	M20
DN450	595	425	462.0	30	30	550	22	16	M20
DN500	645	475	513.5	32	30	600	22	20	M20
DN600	755	575	616.5	36	32	705	26	20	M24
DN700	860	-	-	40	40	810	26	24	M24
DN800	975	-	-	44	44	920	30	24	M27
DN900	1075	-	-	48	48	1020	30	24	M27
DN1000	1175	-	-	52	52	1120	30	28	M27
DN1200	1405	-	-	60	60	1340	33	32	M30
DN1400	1630	-	-	68	68	1560	36	36	M33
DN1600	1830	-	-	76	76	1760	36	40	M33
DN1800	2045	-	-	84	84	1970	39	44	M36
DN2000	2265	-	-	92	92	2180	42	48	M39
DN2200	2475	-	-	-	-	2390	42	52	M39
DN2400	2685	-	-	-	-	2600	42	56	M39
DN2600	2905	-	-	-	-	2810	48	60	M45
DN2800	3115	-	-	-	-	3020	48	64	M45
DN3000	3315	-	-	-	-	3220	48	68	M45
DN3200	3525	-	-	-	-	3430	48	72	M45
DN3400	3735	-	-	-	-	3640	48	76	M45
DN3600	3970	-	-	-	-	3860	56	80	M52

Data Sheet

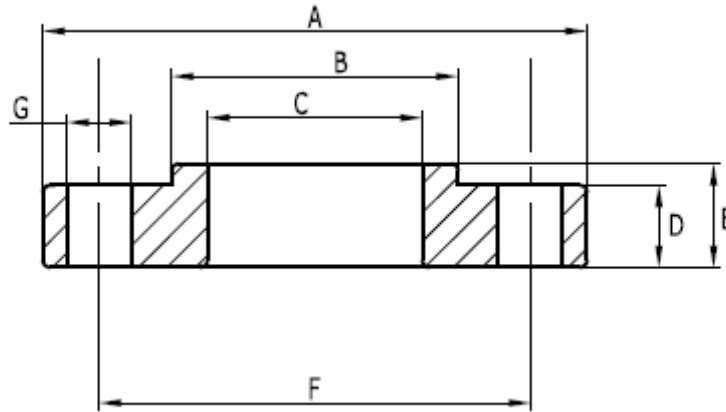
PN 10 BS4504/101 (Type 3) Slip-On Plate Flange



Size	A	B	C	D	E	F	G	No of Holes	Ø Bolt Hole
DN10	90	-	18.0	14	14	60	14	4	M12
DN15	95	-	22.0	14	14	65	14	4	M12
DN20	105	-	27.5	16	16	75	14	4	M12
DN25	115	-	34.5	16	16	85	14	4	M12
DN32	140	-	43.5	16	18	100	18	4	M16
DN40	150	-	49.5	16	18	110	18	4	M16
DN50	165	-	61.5	18	20	125	18	4	M16
DN65	185	55	77.5	18	20	145	18	4/8	M16
DN80	200	70	90.5	20	20	160	18	8	M16
DN100	220	90	116.0	20	22	180	18	8	M16
DN125	250	115	141.5	22	22	210	18	8	M16
DN150	285	140	170.5	22	24	240	22	8	M20
DN200	340	190	221.5	24	24	295	22	8	M20
DN250	395	235	276.5	26	26	350	22	12	M20
DN300	445	285	327.5	26	26	400	22	12	M20
DN350	505	325	359.5	26	28	460	22	16	M20
DN400	565	375	411.0	26	32	515	26	16	M24
DN450	615	425	462.0	28	36	565	26	20	M24
DN500	670	475	513.5	28	38	620	26	20	M24
DN600	780	575	616.5	34	42	725	30	20	M27
DN700	895	670	-	38	-	840	30	24	M27
DN800	1015	770	-	42	-	950	33	24	M30
DN900	1115	860	-	46	-	1050	33	28	M30
DN1000	1230	960	-	52	-	1160	36	28	M33
DN1200	1455	1160	-	60	-	1380	39	32	M36
DN1400	1675	-	-	-	-	1590	42	36	M39
DN1600	1915	-	-	-	-	1820	48	40	M45
DN1800	2115	-	-	-	-	2020	48	44	M45
DN2000	2325	-	-	-	-	2230	48	48	M45
DN2200	2550	-	-	-	-	2440	56	52	M52
DN2400	2760	-	-	-	-	2650	56	56	M52
DN2600	2960	-	-	-	-	2850	56	60	M52
DN2800	3180	-	-	-	-	3070	56	64	M52
DN3000	3405	-	-	-	-	3290	62	68	M56

Data Sheet

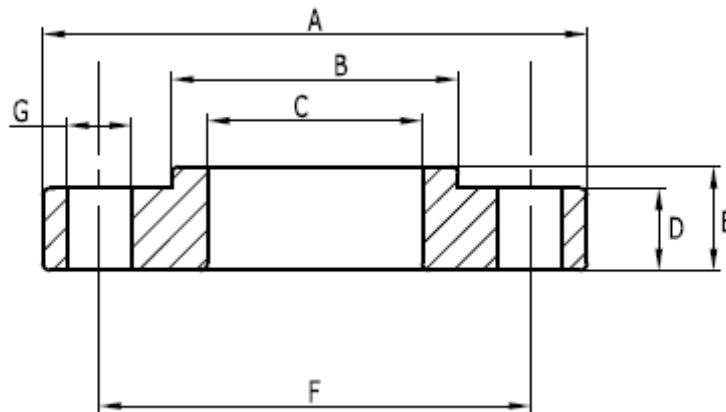
PN 16 BS4504/101 (Type 3) Slip-On Plate Flange



Size	A	B	C	D	E	F	G	No of Holes	Ø Bolt Hole
DN10	90	-	18.0	14	14	60	14	4	M12
DN15	95	-	22.0	14	14	65	14	4	M12
DN20	105	-	27.5	16	16	75	14	4	M12
DN25	115	-	34.5	16	16	85	14	4	M12
DN32	140	-	43.5	16	18	100	18	4	M16
DN40	150	-	49.5	16	18	110	18	4	M16
DN50	165	-	61.5	18	20	125	18	4	M16
DN65	185	55	77.5	18	20	145	18	4/8	M16
DN80	200	70	90.5	20	20	160	18	8	M16
DN100	220	90	116.0	20	22	180	18	8	M16
DN125	250	115	141.5	22	22	210	18	8	M16
DN150	285	140	170.5	22	24	240	22	8	M20
DN200	340	190	221.5	24	26	295	22	12	M20
DN250	405	235	276.5	26	29	355	26	12	M24
DN300	460	285	327.5	28	32	410	26	12	M24
DN350	520	325	359.0	30	35	470	26	16	M24
DN400	580	375	411.0	32	38	525	30	16	M27
DN450	640	425	462.0	36	42	585	30	20	M27
DN500	715	475	513.5	36	46	650	33	20	M30
DN600	840	575	616.5	44	52	770	36	20	M33
DN700	910	670	-	48	60	840	36	24	M33
DN800	1025	770	-	52	68	950	39	24	M36
DN900	1125	860	-	58	76	1050	39	28	M36
DN1000	1255	960	-	64	84	1170	42	28	M39
DN1200	1485	1160	-	76	98	1390	48	32	M45
DN1400	1685	-	-	-	-	1590	48	36	M45
DN1600	1930	-	-	-	-	1820	56	40	M52
DN1800	2130	-	-	-	-	2020	56	44	M52
DN2000	2435	-	-	-	-	2230	62	48	M56

Data Sheet

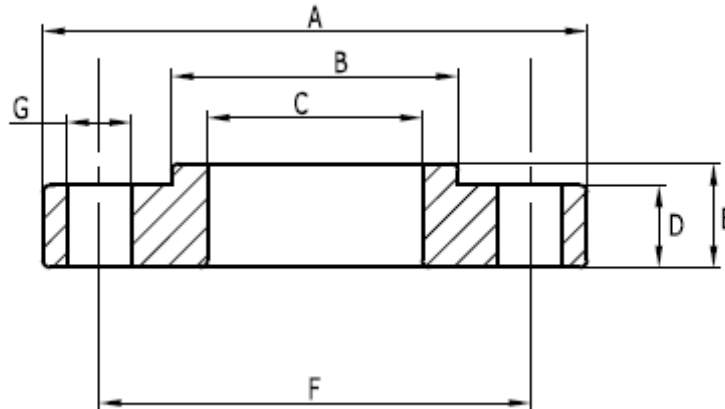
PN 25 BS4504/101 (Type 3) Slip-On Plate Flange



Size	A	B	C	D	E	F	G	No of Holes	Ø Bolt Hole
DN10	90	-	18.0	16.0	14.0	60	14	4	M12
DN15	95	-	22.0	16.0	14.0	65	14	4	M12
DN20	105	-	27.5	18.0	16.0	75	14	4	M12
DN25	115	-	34.5	18.0	16.0	85	14	4	M12
DN32	140	-	43.5	18.0	18.0	100	18	4	M16
DN40	150	-	49.5	18.0	18.0	110	18	4	M16
DN50	165	-	61.5	20.0	20.0	125	18	4	M16
DN65	185	55	77.5	22.0	22.0	145	18	8	M16
DN80	200	70	90.5	24.0	24.0	160	18	8	M16
DN100	235	90	116.0	24.0	26.0	190	22	8	M20
DN125	270	115	141.5	26.0	28.0	220	26	8	M24
DN150	300	140	170.5	28.0	30.0	250	26	8	M24
DN200	360	190	221.5	30.0	32.0	310	26	12	M24
DN250	425	235	276.5	32.0	35.0	370	30	12	M27
DN300	485	285	327.5	34.0	38.0	430	30	16	M27
DN350	555	325	359.5	38.0	42.0	490	33	16	M30
DN400	620	375	411.0	40.0	46.0	550	36	16	M33
DN450	670	425	462.0	44.0	50.0	600	36	20	M33
DN500	730	475	513.0	45.0	56.0	660	36	20	M33
DN600	845	575	616.5	54.0	68.0	770	39	20	M36
DN700	960	-	-	-	-	875	42	24	M39
DN800	1085	-	-	-	-	990	48	24	M45
DN900	1185	-	-	-	-	1090	48	28	M45
DN1000	1320	-	-	-	-	1210	56	28	M52
DN1200	1530	-	-	-	-	1420	56	32	M52
DN1400	1755	-	-	-	-	1640	62	36	M56
DN1600	1975	-	-	-	-	1860	62	40	M56
DN1800	2185	-	-	-	-	2070	70	44	M64
DN2000	2425	-	-	-	-	2300	70	48	M64

Data Sheet

PN 40 BS4504/101 (Type 3) Slip-On Plate Flange



Size	A	B	C	D	E	F	G	No of Holes	Ø Bolt Hole
DN10	90	-	18.0	16.0	14.0	60	14	4	M12
DN15	95	-	22.0	16.0	14.0	65	14	4	M12
DN20	105	-	27.5	18.0	16.0	75	14	4	M12
DN25	115	-	34.5	18.0	16.0	85	14	4	M12
DN32	140	-	43.5	18.0	18.0	100	18	4	M16
DN40	150	-	49.5	18.0	18.0	110	18	4	M16
DN50	165	-	61.5	20.0	20.0	125	18	4	M16
DN65	185	55	77.5	22.0	22.0	145	18	8	M16
DN80	200	70	90.5	24.0	24.0	160	18	8	M16
DN100	235	90	116.0	24.0	26.0	190	22	8	M20
DN125	270	115	141.5	26.0	28.0	220	26	8	M24
DN150	300	140	170.5	28.0	30.0	250	26	8	M24
DN200	375	190	221.5	36.0	36.0	320	30	12	M27
DN250	450	235	276.5	38.0	42.0	385	33	12	M30
DN300	515	285	327.5	42.0	48.0	450	33	16	M30
DN350	580	325	359.5	46.0	54.0	510	36	16	M33
DN400	660	375	411.0	50.0	60.0	585	39	16	M36
DN450	685	425	462.0	54.0	66.0	610	39	20	M36
DN500	755	475	513.5	56.0	72.0	670	42	20	M39
DN600	890	575	616.5	70.0	84.0	795	48	20	M45